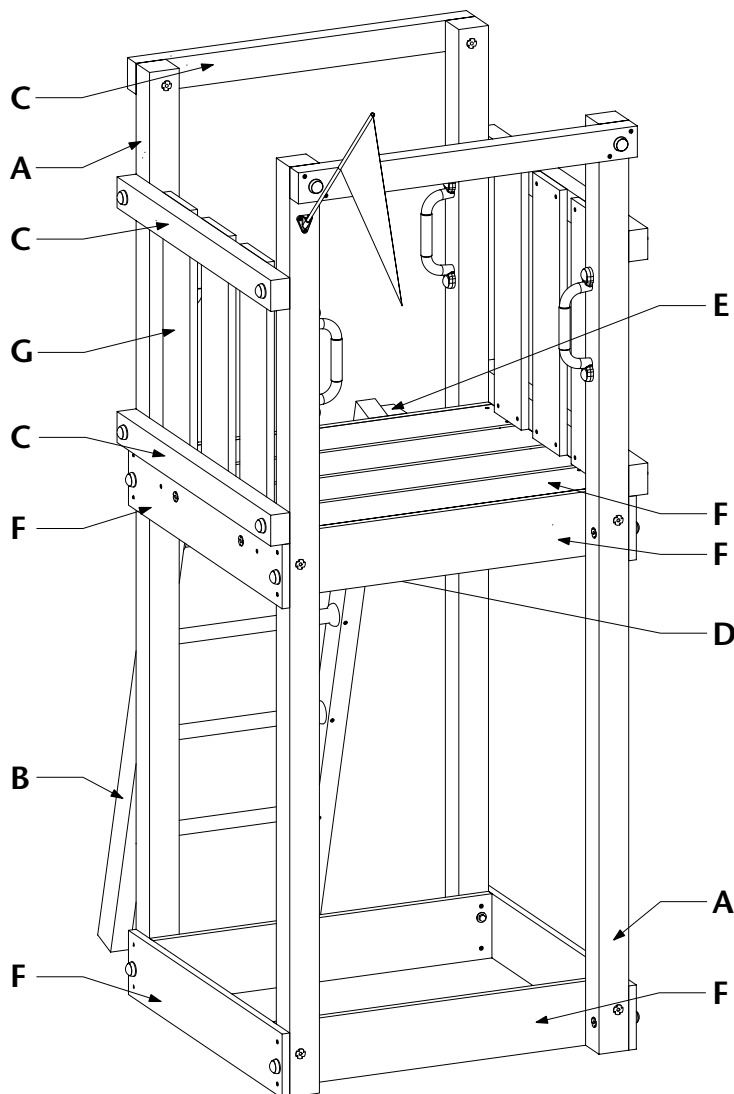


#401.200

Jungle Gym®



Jungle Tower™



EN 71-1 71-8

(EN) Assembly Instructions and Owners Manual

(FR) Instructions d'Assemblage et Manuel

(DE) Montage Anleitung und Gebrauchsanweisung

(NL) Montage-instructies en Handleiding

(DK) Byggevejledning og Brugsanvisning

(NO) Monteringsanvisning

(SE) Monteringsinstruktioner

(FI) Kokoamisohjeet

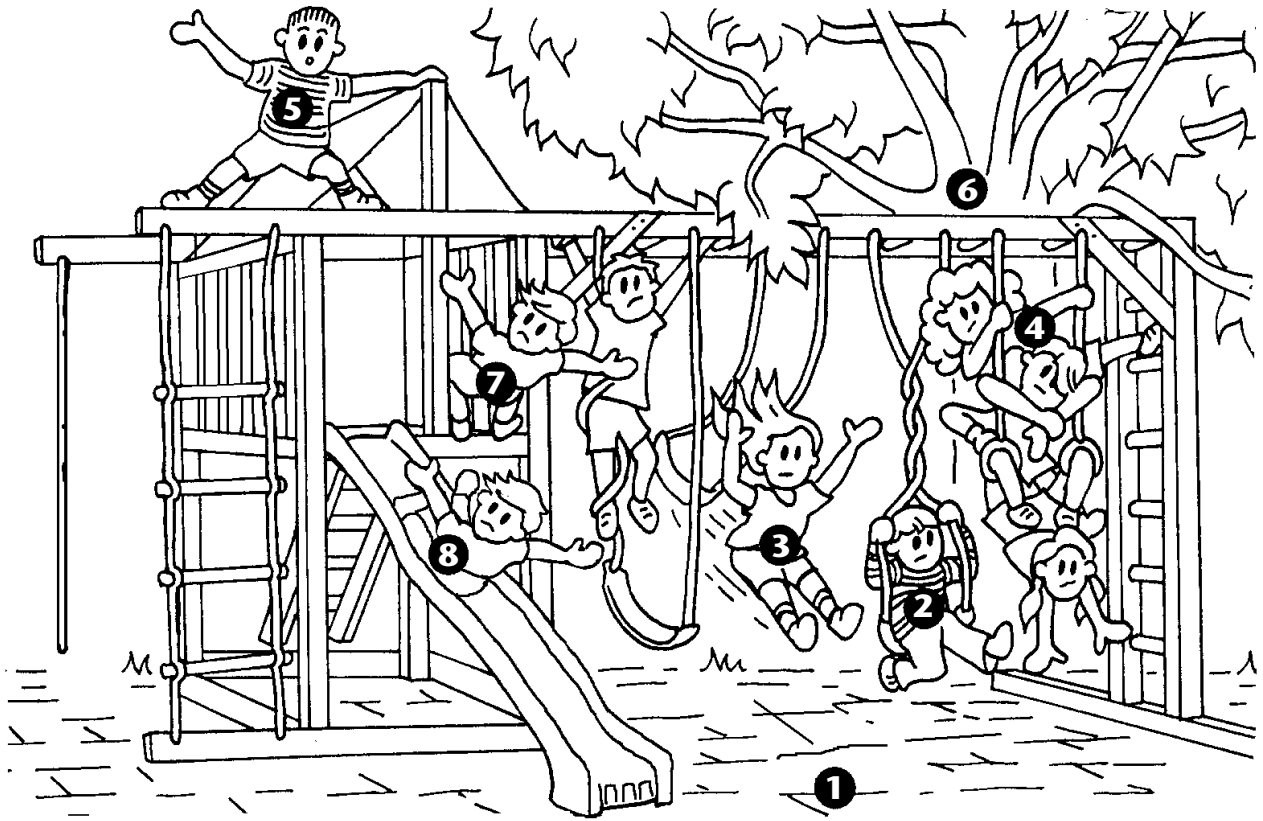
(PT) Manual de instalação e montagem

(ES) Instrucciones de montaje y manual del propietario

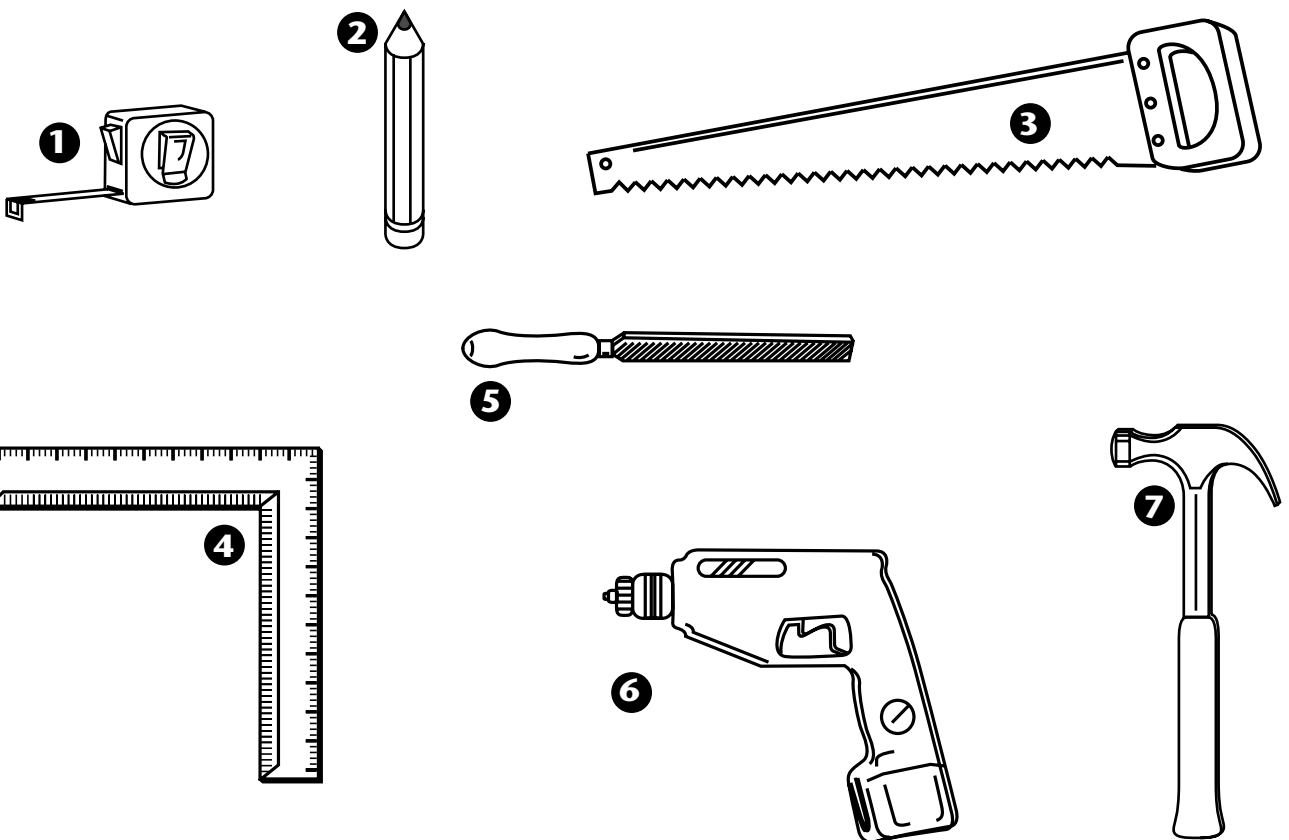
(IT) Istruzioni per l'Installazione e Montaggio

(EL) Συμπεριλαμβάνονται

01



02



Congratulations with the purchase of this Jungle Gym® Do It Yourself kit. This kit contains all the parts and accessories necessary to build your own playground. Only the slide and lumber are not included in the kit. With the purchase of this Jungle Gym® kit you'll be able to construct a safe playset within a short period: a guaranteed pleasure for your children for many years. In these assembly instructions you will find a specification for the lumber you will have to purchase.

Jungle Gym® kits contain special developed hardware. This material is designed with great care and with the safety of your children as a first matter of importance. The hardware has no sharp angles or protruding parts and is protected against all kind of weather influences. All the parts in the kits are corresponding to the EN 71-1 & -8 (European Safety Standard) for private use, on the condition that the playground equipment is assembled and used properly in accordance with the manual. Do not deviate from these plans or alter design.

This product is intended for single-family residential use only. Public installations or public dominion is clearly a misuse of this product.

- When building this playset, at least two adults are required for lifting and holding beams, frames or other heavy assemblies in position before bolting or screwing. The construction will take you 1 hour for the assembly of a Swing and up to 4 hours for a climbing-tower.
- Check all the parts and group them systematically within reach. Compare these with the parts list.

SAFETY INSTRUCTIONS

- Carefully read these assembly instructions before you start with the assembly.
- Children should stay out of the work area until the safe play area is cleared of obstacles, the play set has been completely installed, all hardware has been tightened and checked, and all tools and other items that don't belong in the play area have been picked up.
- The ground surface must be level. Installing your playset on sloping ground can cause it to lean or "rack". This leaning puts additional stress on all connections and joints and in time will cause those connections to loosen and fail.
- Wear proper clothing and safety equipment (e.g. safety glasses, dust mask and gloves) when you saw, drill, grind, stain or assemble the playset, especially when working with pressure treated lumber.
- After assembly be sure to use a metal saw to cut off all protruding threaded ends of bolts and other fasteners. Remove any sharp edges with a metal file.
- To prevent splinters sand the wood with a piece of sandpaper. Also smooth all corners with sandpaper or a metal file to a radius of 3 mm.
- Do not attach extra items to this gym set, such as ropes, chains, heavy cord or other items.
- Do not combine products of other producers with Jungle Gym® products because it can decrease safety.
- Only use the RopeLocks™ in combination with Jungle Gym® swing hooks. Do not use the Ropelocks™ for other purposes, like mountain climbing or pulling loads.
- Wood parts of playsets should never be ignited when disposed of. Dispose of all metal parts so as not to create a hazard. It is not allowed to burn pressure treated, stained or painted lumber yourself, because of environmental pollution. Bring it to your local disposal place.
- The playset must be securely anchored to prevent the playset from turning over or shoving. If soil conditions permit stakes to be pulled out easily, cementing is required. Be sure that the ground anchors do not stick out of the ground because children can trip over them.
- Do not install your play set over concrete, gravel, asphalt, packed earth, or any other hard surface. A fall onto a hard surface can result in serious injury. The following is a list of recommended ground covers.

Suggested material	uncompressed depth
Double shredded bark mulch	9" (23 cm)
Uniform wood chips	12" (30 cm)
Fine gravel	12" (30 cm)
Fine sand	12" (30 cm)

-2. Any edging used to contain the ground cover must be beyond the safe play area. (Landscape timbers or railroad ties)

- The distance between swinging accessories (for example a swing seat) and the playground should be at least 35 cm.
- The distance between swinging accessories and an accessory and the frame, should be at least 30 cm.
- A Climbing rope or a Rope ladder always has to be secured at both top and bottom, because the free-hanging Rope can be knotted into a halter and children can become entangled.
- Follow the manufacturers' safety recommendations for the tools and equipment you use.
- Save these assembly instructions for future reference.

INSPECTION AND MAINTANCE

To ensure the safety of the users of the playset, the playset have to be subjected to the safety inspections mentioned below once at the beginning of each season and further twice monthly during the usage season.

- Wood components

- Inspect for splinters and possible other structural defects.
- Maintain the set with periodic applications of exterior stain to prevent wood rot. Do not use paint that can cause a slippery surface.
- Hardware
 - Check all hardware if they are tightened. Caution: over-tightened hardware crushes the fibres of the wood resulting in split boards.
 - Check the remaining hardware, brackets and swing hooks also on rust, which can have affect on the strength. Replace when necessary.
 - Check the ground anchors.
- Accessories (if appropriate)
 - Check RopeLocks™ if they are proper installed onto the Jungle Gym swing hooks. To check the RopeLocks HC, hang with your full bodyweight onto each individual swing Rope for a couple of seconds. The RopeLocks SC can be checked by sitting on the accessory with your full bodyweight for a couple of seconds. If any squeaking occurs, the RopeLocks HC can be moistened with water.
 - Check Swing Seats and bars for integrity and check swing ropes for fraying or extreme creation of fibre. To give a good judgement of the Rope, open the strands of the Rope there where the fraying occurred and securely check whether the filaments are broken. Replace when necessary.
- Check the attachment of the slide onto the platform for chinks in which for instance strings from capuchins can get stuck which results in entangling.
- All accessories can be cleaned with warm water and a mild detergent. Heavily dirt slides can be cleaned with a high pressure cleaner, be careful not to damage the slide surface.
- Surface and direct environment
 - Check if the shock-absorbing surface isn't compressed too much, loosen if necessary. Fill up any holes, for example under swing seats.
 - Check the playsets stability.
 - Check the environment for direct danger like overhanging branches, clotheslines, loose materials.

SAFE PLAY (ILL. 01)

- 1 Equipment should not be played upon in wet weather conditions because of potentially slippery surfaces and in periods of frost, even the softest pavement can change into a very hard surface. Accessories should be removed and taken indoors when temperatures drop below 0° C (32° F).
- 2 Using the playground or the accessories in any other manner than the way intended could lead to damage or, even injury.
 - 2. Do not twist or wrap swings, chains, ropes or any other accessories. Twisting will reduce the strength of the accessories and may cause entrapment.
- 3 Caution children not to:
 - jump off swings while they are in motion
 - swing empty seats or other empty accessories
 - swing at an angle
 - hang upside down from any part of the gym set.
 - grasp or stop another child on a moving equipment
 - walk close to, in front of, between, or behind moving accessories
- 4 Caution children to sit in the centre of the swings with their full weight on the seats. Only one child per each planned occupant seat should be allowed. A standard tower: maximum 3 children are allowed to play on the playset with a maximum weight of 50 kg each. A standard tower in combination with a swing: maximum 5 children are allowed to play on the playset with a maximum weight of 50 kg each.
- 5 Climbing or hanging on the frame of the playset must not be permitted. Serious injuries can be resulted from falls
- 6 Install the set on level ground not less than 1.80 metres from any structure or obstruction such as a fence, garage, house, overhanging branches, laundry lines, or electrical wires. Do not situate your playset in the direction of walks or gangways.
- 7 Each open area on a platform increases the risk of possible accidents. The risk can be significantly reduced with the addition of safety features like handles, safety bars and fence boards.
- 8 Do not allow children to go down the slide in any other manner than sitting.
 - Avoid southern sunlight exposure to the slide. All components may become hot when exposed to direct sunlight. Make sure the playset is not hot before allowing children to play. If necessary the playset can be cooled down by with water, dry the playset before using. Do not spray water on the slide to upgrade the joy of playing. Children slide too fast, which can cause injury.

Attention:

- On site adult supervision must be provided for children of all ages and at all times.
- Teach the children to play safe.
- Jungle Gym® products are designed for use by children age 3 to 10 years old, unless indicated differently.
- Dress children appropriately. Avoid accessories and clothing with drawstrings and loose fitting clothes, which could become entangled or snagged on equipment.
- Last but not least: use common sense to avoid any possible unsafe situations.

REQUIRED TOOLS (ill. 02)

- 1 Tape measure
- 2 Pencil
- 3 Hack saw
- 4 Combination square
- 5 Wood- & metal file

- 6 Wood drill 3 & 5 mm
- 6 Electric drill
- 7 Hammer

CONTENTS JUNGLE GYM KIT (ILL. 03)

STANDARD BOLT CONNECTIONS (ILL. 04)

- Place the lock washer over the shank of the bolt, followed by the flat washer and the bolt cap, when appropriate. When tightened, the spring action of the lock washer will be compressed between the head of the bolt and the flat washer.
- Put the shank of the bolt through. Hit the barrel of the weld nut with a hammer into the hole from the other side. The protruding barrel of the weld nut should be inside the wood. Use the 13 mm socket in your electric drill to tighten each bolt until the lock washer is fully compressed between the head of the bolt and the flat washer.
- If the bolt appears to be too short, we advise to counter drill the upper part of the hole in the thickest part of the wood with a ø 22 mm drill, so the bolt will be sunk after assembly. Treat the arise hole with stain. Because the bolt head is recessed now, there is no need to use the bolt protection cap.
- If the bolt appears too long, it is necessary to remove the protruding end by cutting it off. If any sharp edges appear, use a file.

PILOT HOLES (ILL. 05)

- In order to prevent the wood from splitting, drilling pilot holes are recommended for all screws. These pilot holes are 10 mm shorter than the screws.
- For a lag screw first drill a hole ø 10 mm in the part that you want to attach.

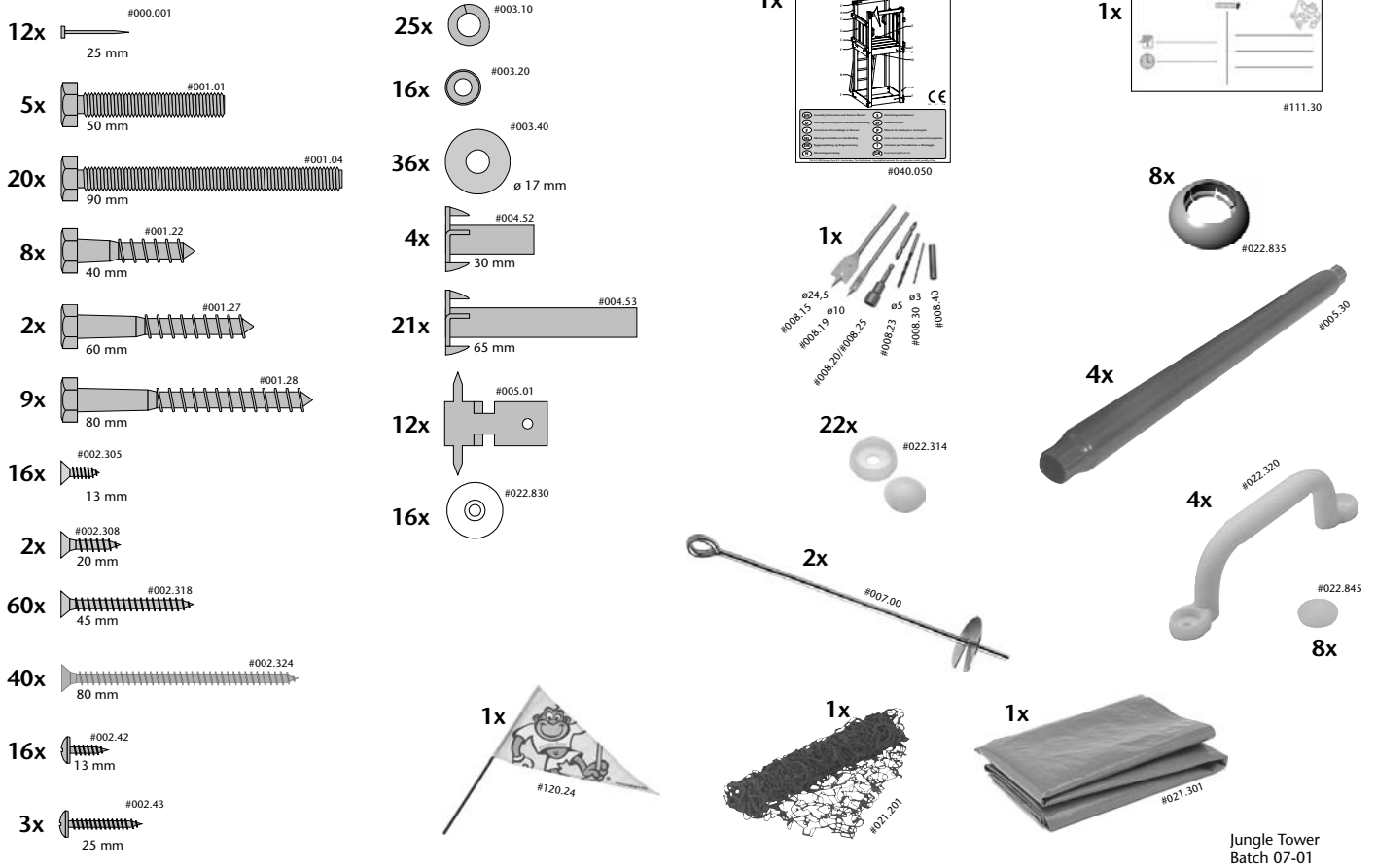
WOOD & CUTTING INSTRUCTIONS (ILL. 06/08)

- The quality of your set will be reflected by the quality of the lumber that you buy. The money you save on lower quality wood will be lost quickly in aggravation while building and will result in a finished product that will provide far less satisfaction.
- Buy wood which does not have the centre inside and is free of cracks, otherwise there is a possibility that installed hardware can fall out.
- The top beam for a swing should be picked with extra care. You can test the integrity of the beam by laying it with both ends on for example two crates. Let someone help you to keep balance and then jump up for approximately 10 cm. The caused impact on the beam is approximately the same as an applied weight of 200 Kg. If the beam does not break or crack, it is suited as a top beam. A slight bending of the beam is normal. Be careful not to inflict personal injury.
- The following lumber is suited for building your playset:
 - Lumber with a natural resistance against wood rot and insect damage, e.g. Robinia, tropical hardwood, European hardwood, oak, chestnut, red cedar.
 - Pressure treated lumber.
 - Otherwise treated lumber (e.g. heat-treated)
- Treat all sawing surfaces and ends with an outdoor stain to prevent the wood from rotting, also when pressure treated wood is being used.
- Pay extra attention to parts that make contact with the ground.
- Treat also all sank down holes and holes for the Rope ladder or Climbing rope with the stain.
- As Jungle Gym® playsets are designed to grow with your children, all playsets can be expanded and some of them have the option to vary the height of the platform, so you can choose the length of the slide.
- In addition to the lumber you will need:
 - 100 kg play sand

SPACE REQUIRED (ILL. 07)

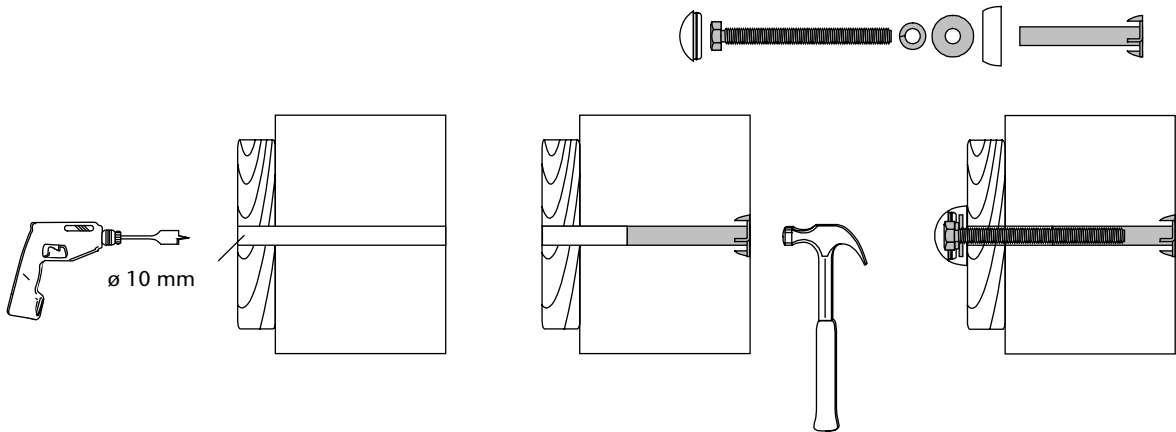
The indicated ground space includes the space necessary to build a Jungle Climber in combination with a New Wave Slide, built within safe distance to possible obstacles.

03



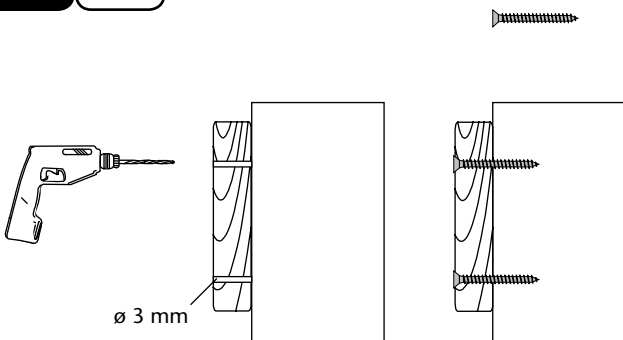
Jungle Tower
Batch 07-01

04

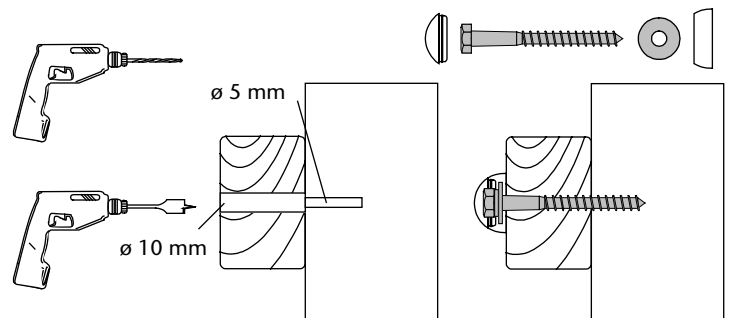


05

a

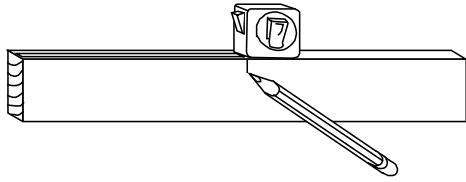


b

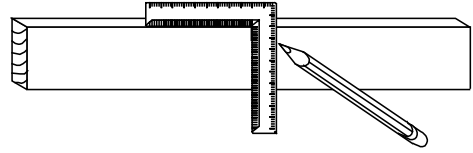


06

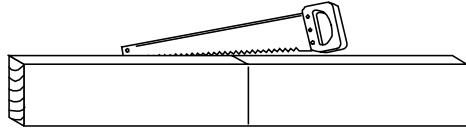
a



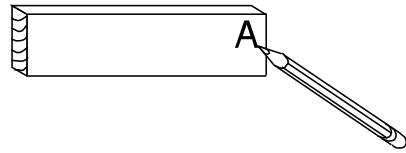
b



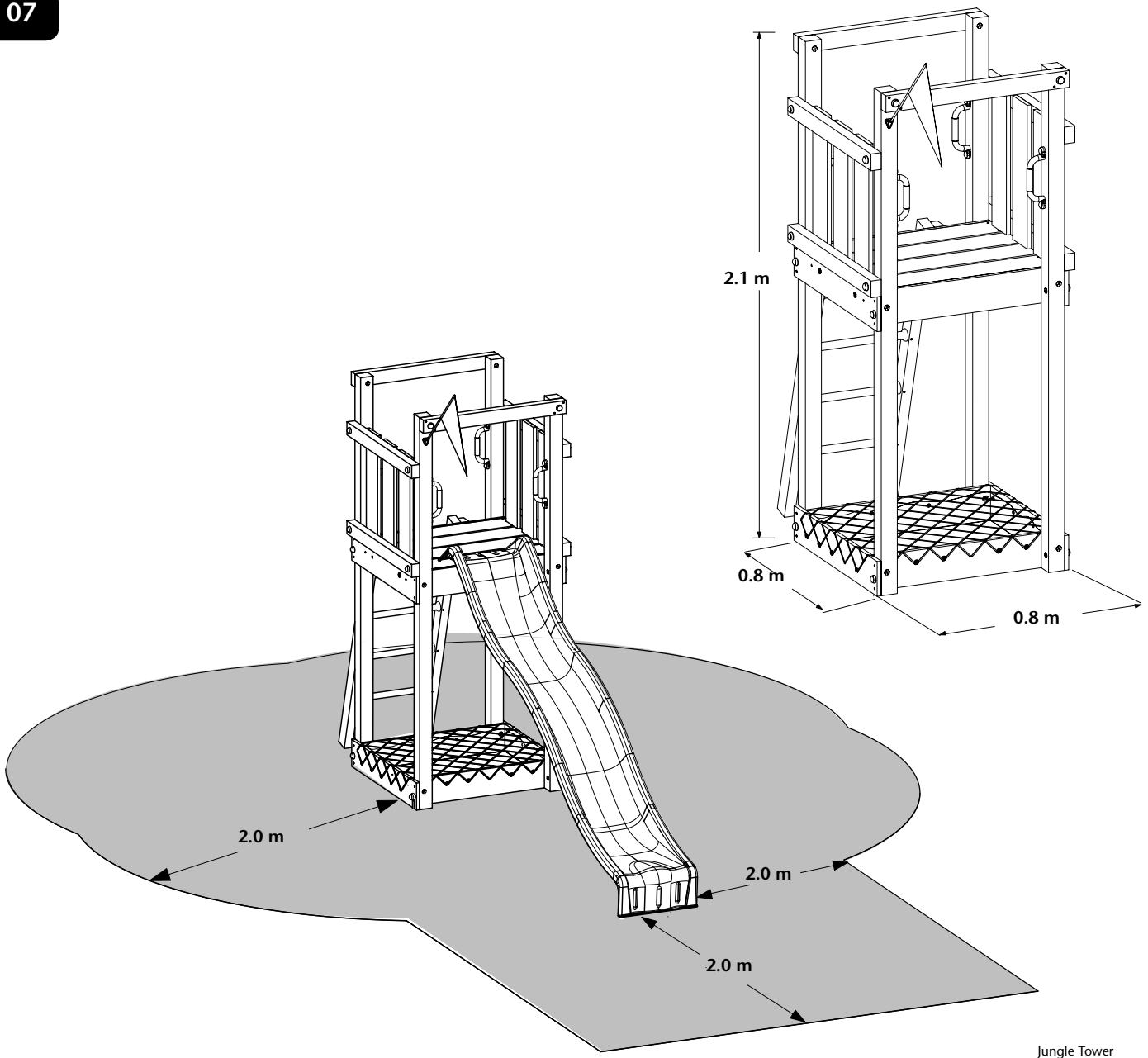
c



d

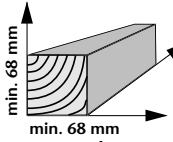


07

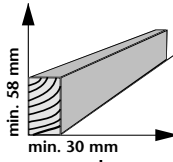


Jungle Tower
Batch 07-01

16



4x A = 210 cm

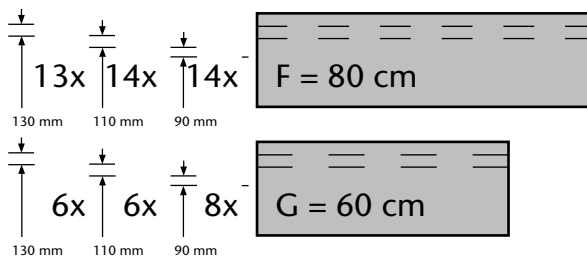
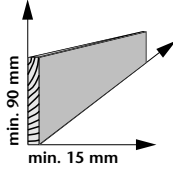


2x B = 130 cm

6x C = 80 cm

2x D = 56 cm

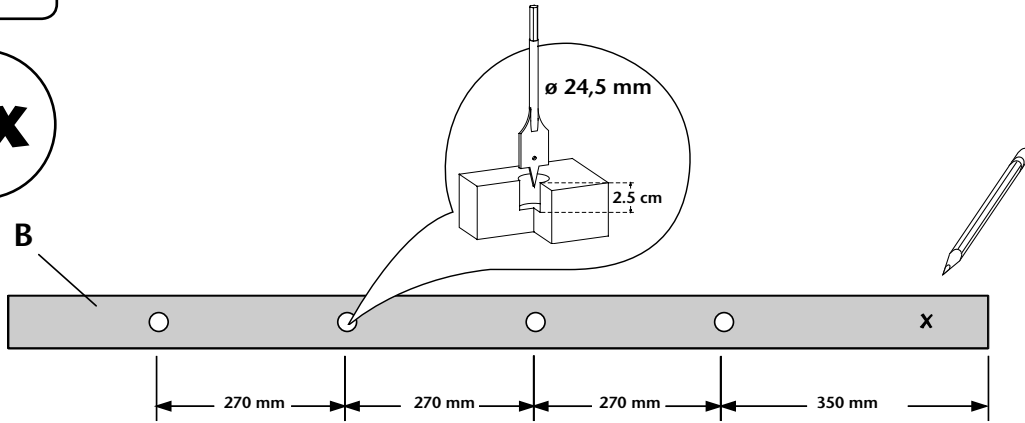
1x E = 15 cm



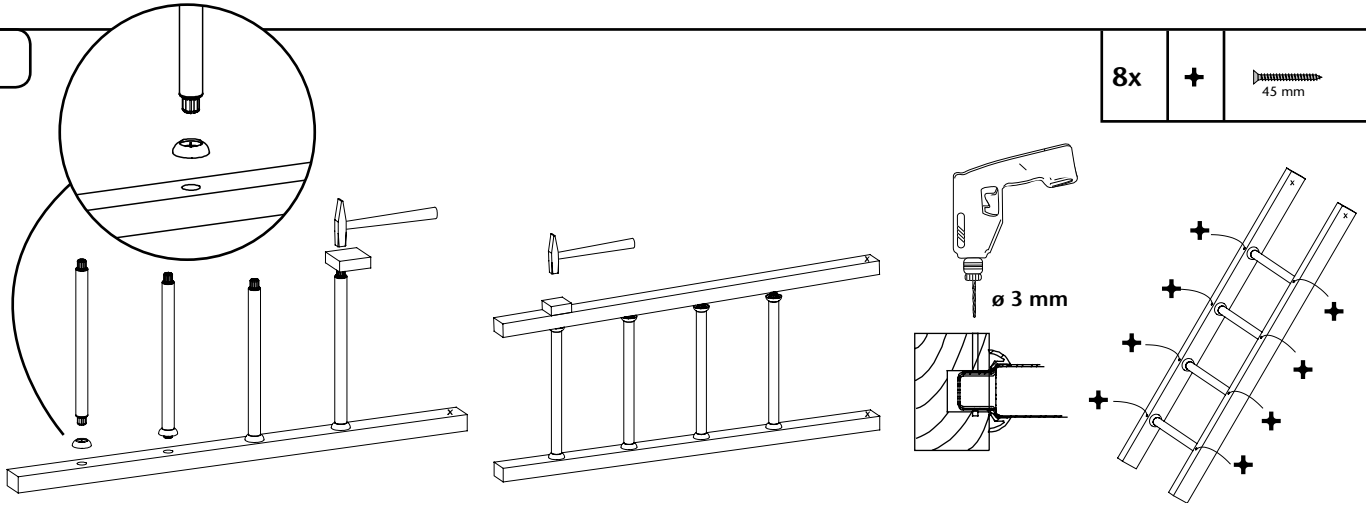
09

a

2x

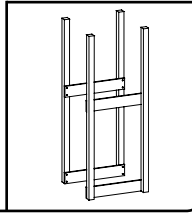
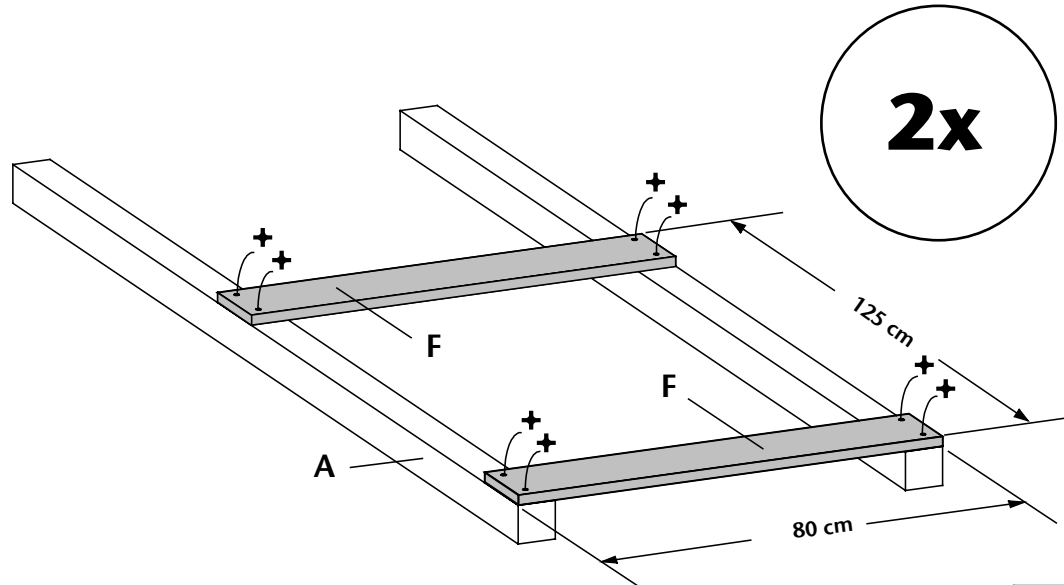


b



10

16x + 80 mm

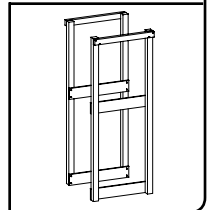
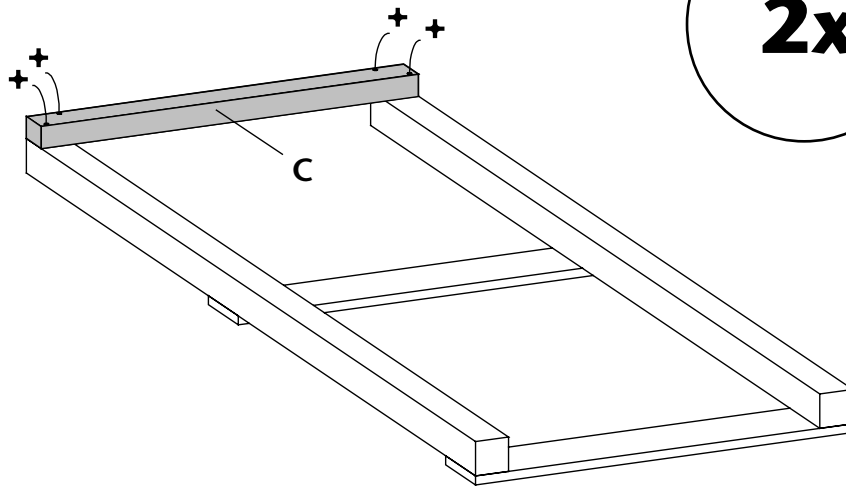


11

8x

+

80 mm

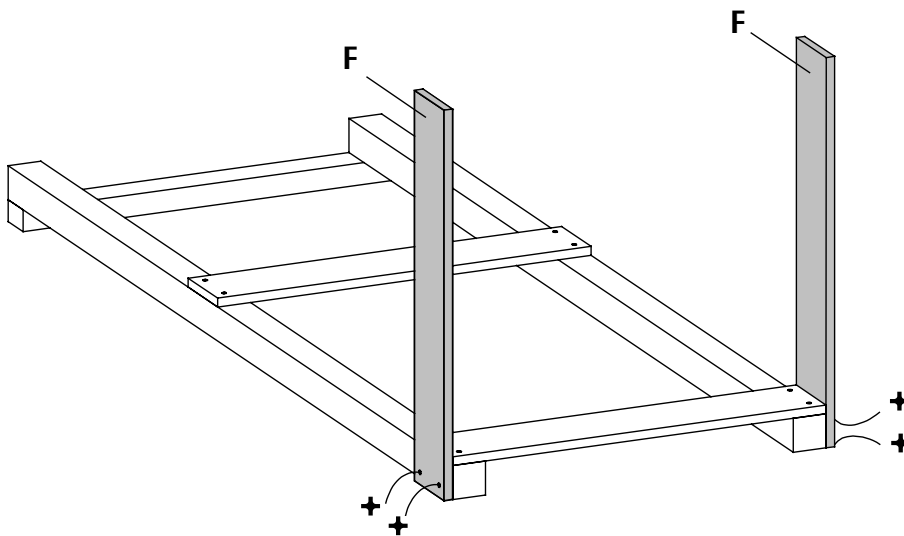


12

4x

+

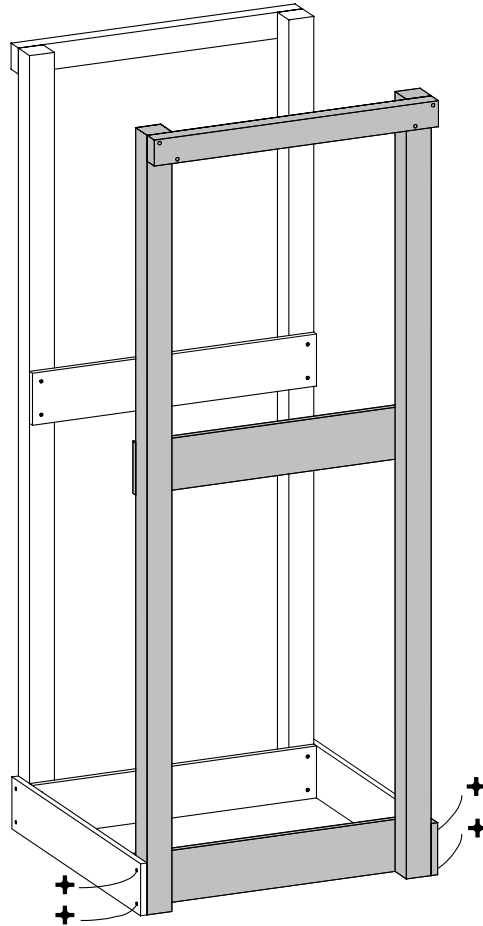
80 mm



13

4x

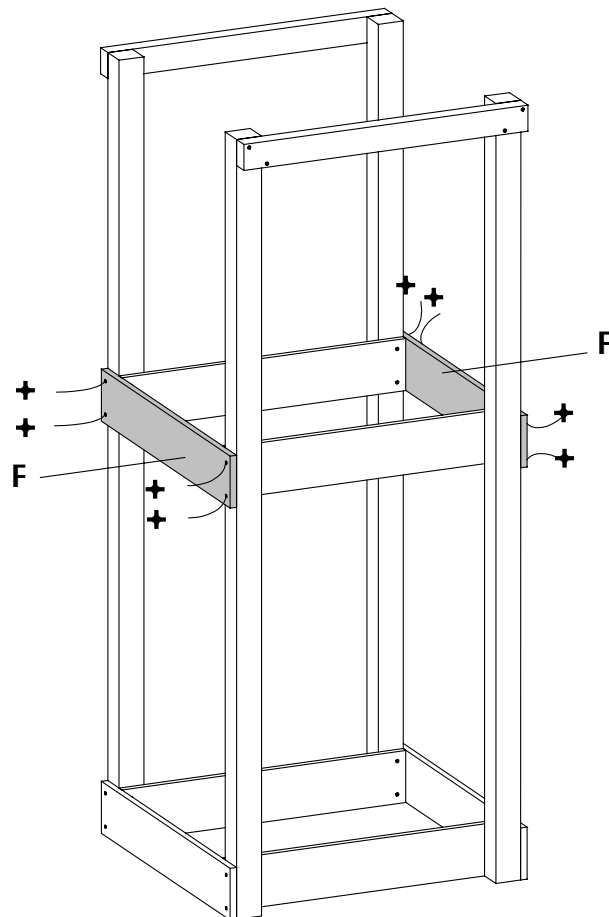
+


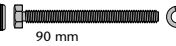


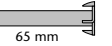




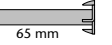


14

8x

+



12x		 90 mm			 65 mm
8x		 90 mm			 65 mm

